

LCDP8SVGA

TECHNICAL SPECIFICATIONS

8" TFT COLOR LCD MONITOR

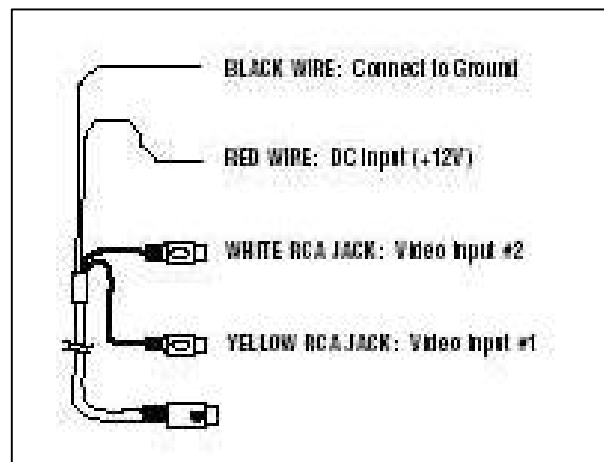
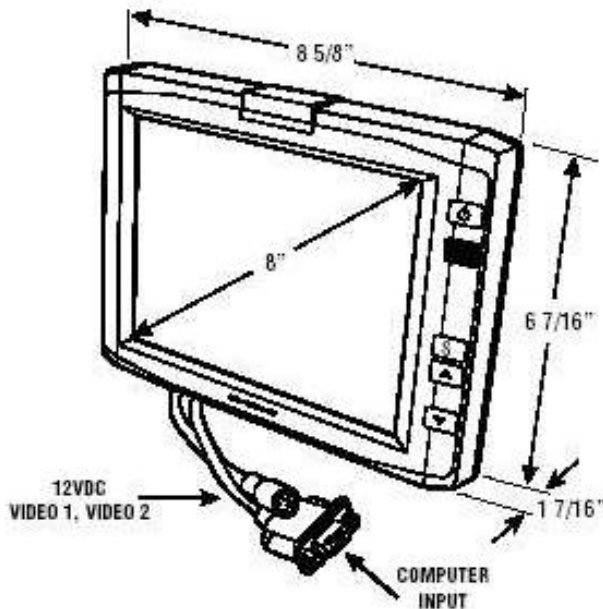


SPECIFICATIONS

DISPLAY:	8" TFT-LCD
BACK LIGHT:	CCFL
RESOLUTION:	800 x 600
DOT PITCH:	0.107(H) x 0.372(V)
VIEWING ANGLE:	L/R/T/B 65°/65°/40°/65°
BRIGHTNESS RATING:	220 cd/m ²
NUMBER OF PIXELS:	480,000
VIDEO INPUT LEVEL:	Composite 1V p-p (75 ohms)
VIDEO INPUT SYSTEMS:	NTSC, PAL, Computer (VGA, SVGA) (VIDEO 1, VIDEO 2, COMPUTER)
POWER SOURCE:	DC 12V +/-15%
POWER CONSUMPTION:	950 mA
OPERATION TEMPERATURE:	0°C ~ +50°C (+32°F ~ +122°F)
STORAGE TEMPERATURE:	-30°C ~ +60°C (-22°F ~ +140°F)
MOUNTING:	(1/4-20) Threaded mounting on bottom of unit (mount included)
DIMENSIONS:	6 7/16"(H) x 8 5/8"(W) x 1 7/16"(D)
NET WEIGHT:	670 Grams

FEATURES

- 8" TFT-LCD PANEL
- OPTIONAL USB TOPUCH SCREEN
- ON SCREEN DISPLAY
- 2 VIDEO INPUTS
- SVGA INPUT
- REMOTE CONTROL



Miller Technologies
109 Fairytale Lane
Surf City, NC 28445

Miller
Technologies

www.millertech.com

Pho: (910) 328-2829
Fax: (910) 328-5494
Email: info@millertech.com