

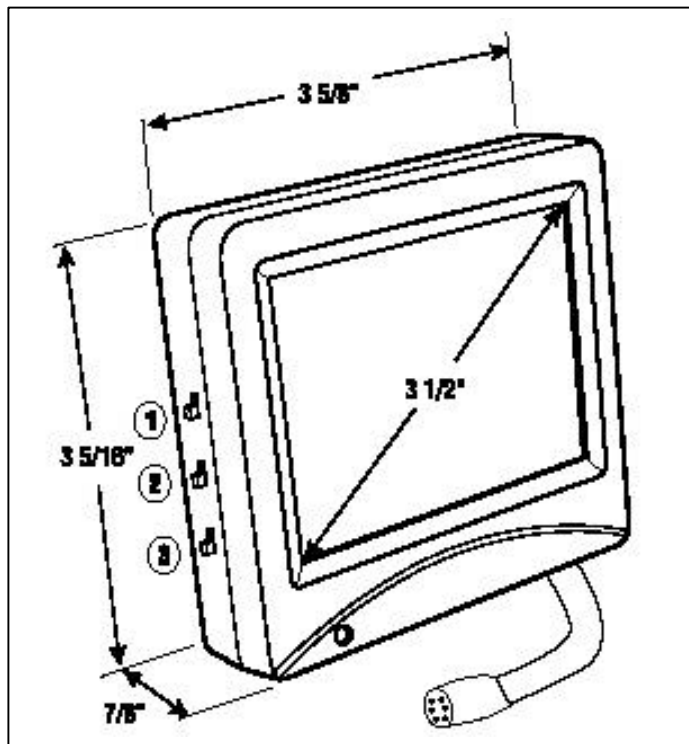
LCDP35N

TECHNICAL SPECIFICATIONS

3.5" HOUSED COLOR VIDEO MONITOR

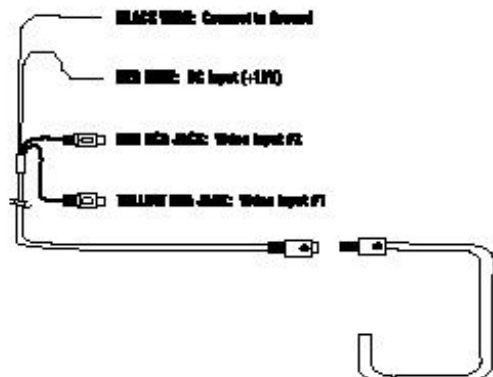


1. POWER
2. VIDEO 1, 2
3. MIRROR IMAGE



FEATURES

- ON / OFF SWITCH
- MIRROR IMAGE
- 2 VIDEO INPUTS



SPECIFICATIONS

DISPLAY:	3.5" Color TFT LCD
INPUT SIGNAL:	NTSC/PAL Auto Switch
DOT FORMAT:	480 x 234
BACK LIGHT:	CCFT
LAMP LIFE:	10,000 Hrs.
BRIGHTNESS RATING:	200 nit
CONTRAST RATIO:	120:1
VIEWING ANGLE (L/R/T/B):	55°/55°/15°/35°
POWER REQUIREMENTS:	12VDC @ 375 mA
VIDEO INPUT LEVEL:	1.0 V p-p (Positive) 75 Ohms
DIMENSIONS (H X W X D):	3 5/16" x 3 5/8" x 7/8"
OPERATING TEMPERATURE:	0° ~ 60°C
STORAGE TEMPERATURE:	-20° ~ 80°C
WEIGHT:	4.3 oz

* Specifications subject to change without notice.

Miller Technologies
109 Fairytale Lane
Surf City, NC 28445

Miller
Technologies

www.millertech.com

Pho: (910) 328-2829
Fax: (910) 328-5494
Email: info@millertech.com