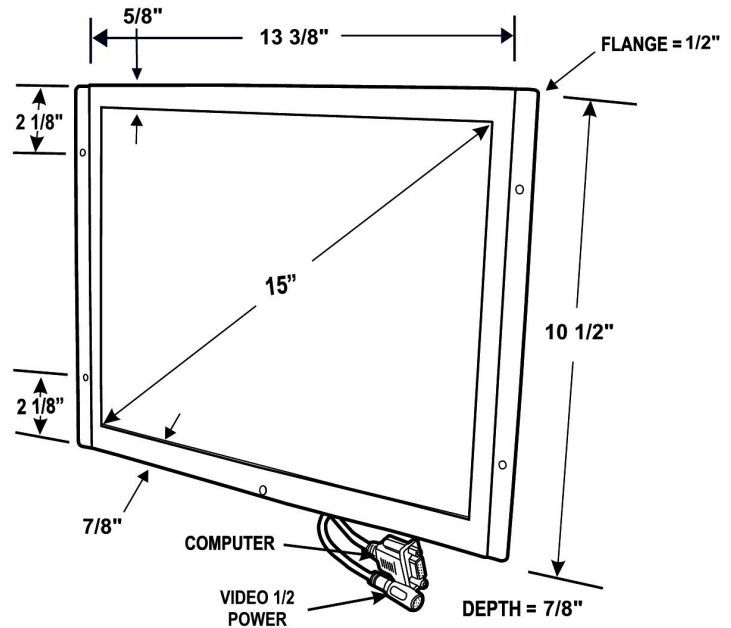


# LCDM15HS

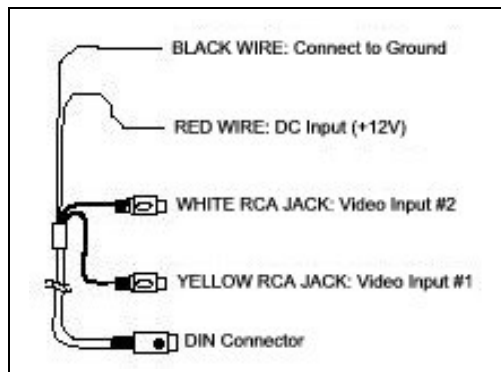
## TECHNICAL SPECIFICATIONS

### 15" VIDEO/VGA INPUT SURFACE/FLUSH/VESA MOUNT METAL FRAMED MONITOR



#### FEATURES

- COMPUTER INPUT
- 2 VIDEO INPUTS
- OSD (ON SCREEN DISPLAY)
- IR REMOTE



#### SPECIFICATIONS

DISPLAY:	15" COLOR TFT LCD
INPUT SIGNAL:	NTSC/PAL/COMPUTER
DOT FORMAT:	1024 x 768
BACK LIGHT:	CCFT
LAMP LIFE:	20,000 Hrs.
BRIGHTNESS RATING:	450 NIT
CONTRAST RATIO:	400:1
VIEWING ANGLE (L/R/T/B):	70°/70°/65°/65°
POWER REQUIREMENTS:	12VDC @ 2.5 A
VIDEO INPUT LEVEL:	1.0 V p-p (positive) 75 Ohm
DIMENSIONS (HxWxD):	13 3/8" x 10 1/2" x 7/8"
MONITOR MOUNTING:	Flange/VESA
OPERATING TEMPERATURE:	0° ~ 60°C (32° ~ 140°F)
STORAGE TEMPERATURE:	-20° ~ 80°C (-4° ~ +176°F)

\*Specifications subject to change without notice.

Miller Technologies  
109 Fairytale Lane  
Surf City, NC 28445

Miller  
Technologies

Pho: (910) 328-2829  
Fax: (910) 328-5494  
Email: [info@millertech.com](mailto:info@millertech.com)

[www.millertech.com](http://www.millertech.com)