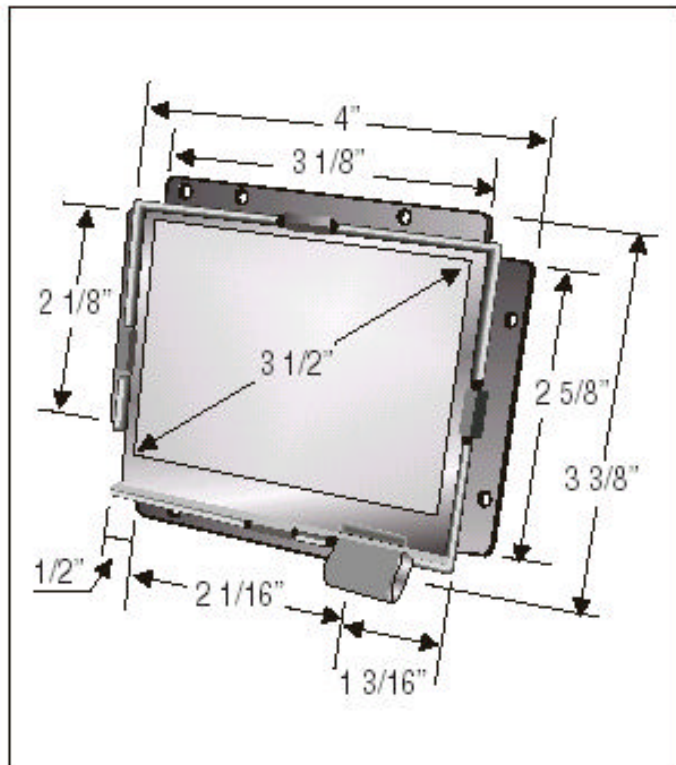


LCD35

TECHNICAL SPECIFICATIONS

3.5" TFT-LCD OPEN FRAME COLOR MONITOR



FEATURES

- Wide Viewing Angle
- PAL Version Available
- Convenience Mounting Flange
- Optional On/Off Switch Input

SPECIFICATIONS

- DISPLAY: 3.5" Color TFT-LCD Monitor
- INPUT SIGNAL: NTSC
- DOT FORMAT: 480 x 234
- BACK LIGHT: CCFT
- LAMP LIFE: 10,000 Hrs.
- BRIGHTNESS RATING: 200 NITS
- CONTRAST RATIO: 120:1
- VIEWING ANGLE (L/R/T/B): 55°/55°/15°/35°
- POWER REQUIREMENTS: 12VDC @ 375 mA
- VIDEO INPUT LEVEL: 1.0 Vp-p (Positive) 75 Ohms
- DIMENSIONS (HxWxD): 3 3/8" x 4" x 15/16"
- MONITOR MOUNTING: Mounting Flange On All Four Sides
- OPERATING TEMPERATURE: 0° - 60°C
- STORAGE TEMPERATURE: -20° - 80°C
- WEIGHT: 4.3 oz.

**Specifications subject to change without notice*

Miller Technologies
109 Fairytale Lane
Surf City, NC 28445

**Miller
Technologies**

www.millertech.com

Pho: (910) 328-2829
Fax: (910) 328-5494
Email: info@millertech.com