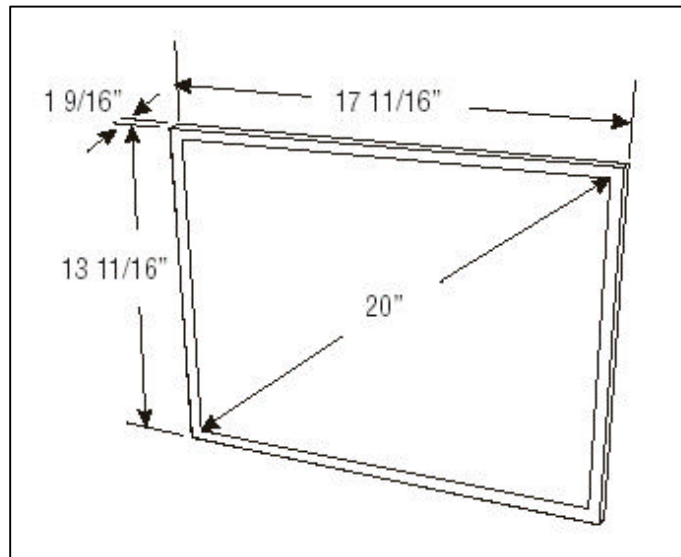


LCD20HD

TECHNICAL SPECIFICATIONS

20" TFT-LCD COLOR MONITOR



FEATURES

- OSD (On Screen Display)
- Remote Control
- 4 Input Signals
- AC Adapter Included

SPECIFICATIONS

DISPLAY:	20" TFT-LCD
INPUT SIGNAL:	NTSC, PAL, S-video, Computer, DVI
RESOLUTION:	1600 x 1200 (UXGA)
BACKLIGHT:	CCFT
LAMP LIFE:	30,000 Hrs.
BRIGHTNESS RATING:	250 NIT (cd/m ²)
CONTRAST RATIO:	700:1
VIEWING ANGLE:	178° (H), 178° (V)
POWER REQUIREMENTS:	19VDC @ 3.9A
VIDEO INPUT LEVEL:	1.0V p-p (Positive) 75 Ohm
DIMENSIONS (HxWxD):	13 11/16" x 17 11/16" x 1 9/16"
MONIYOR MOUNTING:	Open Frame
OPERATING TEMPERATURE:	0° ~ 40°C
STORAGE TEMPERATURE:	-20° ~ 60°C

*Specifications subject to change without notice