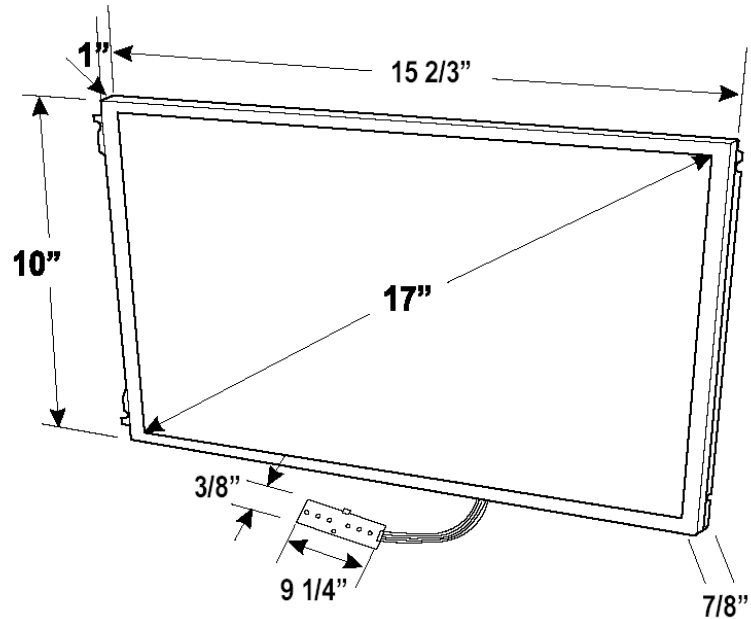


LCD17WLX

TECHNICAL SPECIFICATIONS

17" WIDESCREEN OPEN FRAME LCD MONITOR



FEATURES

- 17" WIDESCREEN TFT LCD
- OSD (ON SCREEN DISPLAY)
- 4 INPUT SIGNALS
- DVI INPUT

SPECIFICATIONS*

DISPLAY:	17" Widescreen Color TFT LCD
INPUT SIGNAL:	NTSC/PAL/S-Video/DVI
RESOLUTION:	1440 x 900
BACK LIGHT:	CCFL
BRIGHTNESS RATING:	250 NIT TYP.
VIEWING ANGLE (L/R/T/B):	80°/80°/75°/85°
POWER REQUIREMENTS:	12VDC @ 3.3A
VIDEO INPUT LEVEL:	1.0 V p-p (positive) 75 Ohm
DIMENSIONS (HxWxD):	10" X 15 2/3" X 7/8"
OPERATING TEMPERATURE:	0° ~ 60°C (32° ~ 140°F)
STORAGE TEMPERATURE:	-20° ~ 80°C (-4° ~ 176°F)

*Specifications subject to change without notice.

Miller Technologies
109 Fairytale Lane
Surf City, NC 28445

**Miller
Technologies**

www.millertech.com

Pho: (910) 328-2829
Fax: (910) 328-5494
Email: info@millertech.com