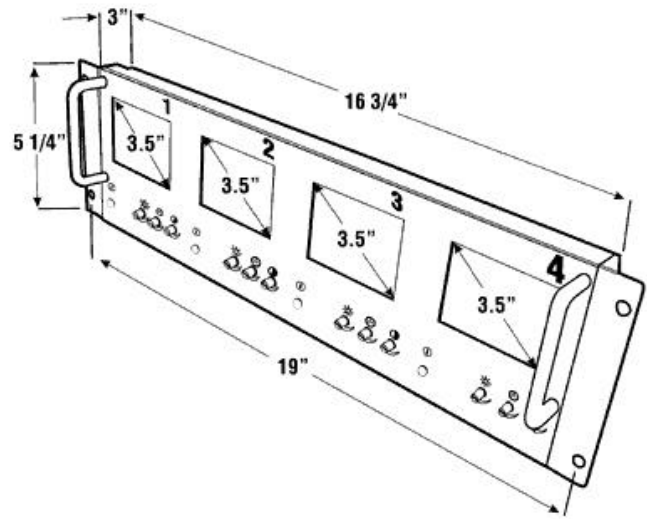


LCDRM354

TECHNICAL SPECIFICATIONS



FEATURES

SWIVEL MOUNT BNC CONNECTORS
METAL HOUSED VIDEO IN/OUT

SPECIFICATIONS

DISPLAY:	3.5" Color TFT-LCD Active Matrix Monitor
INPUT SIGNAL:	NTSC
RESOLUTION:	480 x 234
BACK LIGHT:	CCFT
BRIGHTNESS RATING:	200 NITS
CONTRAST RATIO:	120:1
VIEWING ANGLE (L/R/T/B):	55°/55°/15°/35°
POWER REQUIREMENTS:	12VDC @ 1.5 Amps Per Rack
VIDEO INPUT LEVEL:	1.0V p-p (Positive) 75 Ohm
DIMENSIONS (HxWxD):	5 1/4" x 16 3/4" x 3"
MONITOR MOUNTING:	19" Rack "Swivel"
OPERATING TEMPERATURE:	0° ~ 60°C
STORAGE TEMPERATURE:	-20° ~ 80°C

Miller Technologies
109 Fairytale Lane
Surf City, NC 28445

**Miller
Technologies**

www.millertech.com

Pho: (910) 328-2829
Fax: (910) 328-5494
Email: info@millertech.com