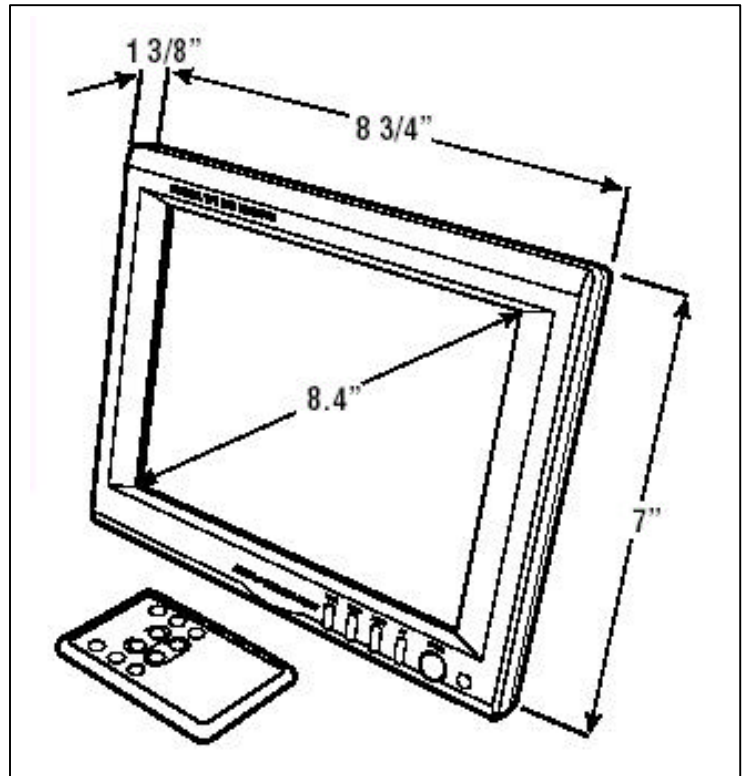


LCDP84

TECHNICAL SPECIFICATIONS



SPECIFICATIONS

Display Area:	8.4" Color TFT
Input Signal:	NTSC, PAL, Computer, S-video
Dot Format:	800 x 600
Back Light:	CCFT
Lamp Life:	20,000 Hrs.
Brightness Rating:	250 NIT
Contrast Ratio:	250:1
Viewing Angle (L/R/T/B):	55°/55°/10°/35°
Power Requirements:	12VDC @ 850mA
Dimensions (HxWxD):	7" x 8 3/4" x 1 3/8"
Operating Temperature:	0° ~ 60°C
Storage Temperature:	-5° ~ 80°C

FEATURES

4 Input Signals: NTSC, PAL, COMPUTER, S-VIDEO
IR REMOTE CONTROL
OSD (On Screen Display)

Miller Technologies
109 Fairytale Lane
Surf City, NC 28445

Miller
Technologies

www.millertech.com

Pho: (910) 328-2829
Fax: (910) 328-5494
Email: info@millertech.com