

LCDP7NB

TECHNICAL SPECIFICATIONS

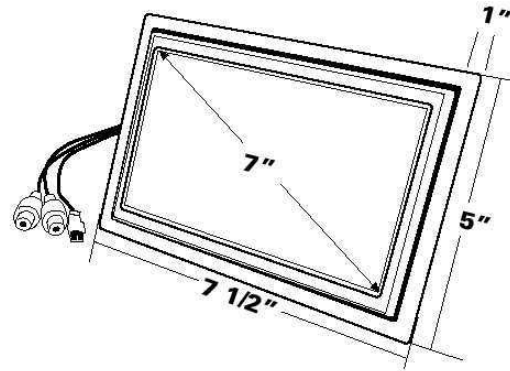
7" WIDESCREEN FLUSH MOUNT LCD MONITOR



LCDP7NB-B2



LCDP7NB-W



FEATURES

- 16:9 WIDESCREEN
- OSD (On Screen Display)
- LCDP7NB-W - 2 VIDEO INPUTS
- LCDP7NB-B2 - 1 VIDEO INPUT
- REMOTE CONTROL
- "AUTO ON" WHEN VIDEO SIGNAL PRESENT

SPECIFICATIONS

DISPLAY:7" WIDESCREEN TFT LCD
INPUT SIGNAL:NTSC/PAL
DOT FORMAT:1440 x 234
BACK LIGHT:LED
BRIGHTNESS RATING:300 NIT
VIEWING ANGLE (L/R/T/B):65°/65°/40°/65°
NUMBER OF PIXELS:336,960
POWER REQUIREMENTS:12VDC @ 450 mA
VIDEO INPUT LEVEL:1.0 V p-p (positive) 75 Ohm
DIMENSIONS (HxWxD):5" x 7 1/2" x 1"
OPERATING TEMPERATURE:0° ~ 50°C (32° ~ 122°F)
STORAGE TEMPERATURE:-30° ~ 60°C (-22° ~ 140°F)
NET WEIGHT:570 Grams

*Specifications subject to change without notice.

Miller Technologies
109 Fairytale Lane
Surf City, NC 28445

Miller
Technologies

www.millertech.com

Pho: (910) 328-2829
Fax: (910) 328-5494
Email: info@millertech.com