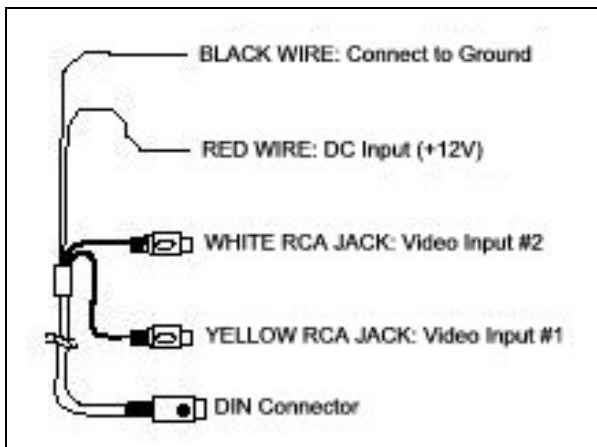


LCDP700VGA

TECHNICAL SPECIFICATIONS

7" WIDESCREEN VIDEO/VGA MONITOR w/ Stand & Surface/Flush Mount Adapter



FEATURES

- 2 VIDEO INPUTS
- ON SCREEN DISPLAY
- AUTO POWER ON
- COMPUTER INPUT
- REMOTE CONTROL
- AUTO SCALING TO 1280 X 768

MOUNTING:
1/4-20 THREADED INSERT ON BOTTOM
SLIDE MOUNT ON BACK
SURFACE/FLUSH MOUNT COWLING

SPECIFICATIONS

DISPLAY:	7" Widescreen Color TFT LCD
INPUT SIGNAL:	NTSC/PAL/VGA
DOT FORMAT:	800 X 480
BACK LIGHT:	LED
BRIGHTNESS RATING:	300 NIT
NUMBER OF PIXELS:	480,000
VIEWING ANGLE (L/R/T/B):	65°/65°/40°/65°
POWER REQUIREMENTS:	12VDC @ 400 mA
VIDEO INPUT LEVEL:	1.0 V p-p (positive) 75 Ohm
DIMENSIONS (WxHxD):	7" x 4 3/4" x 7/8"
WITH COWLING:	7 3/8" x 5 9/16"
OPERATING TEMPERATURE:	0°C ~ 50°C (+32°F ~ +122°F)
STORAGE TEMPERATURE:	-30°C ~ +60°C (-22°F ~ +140°F)

*Specifications subject to change without notice.

Miller Technologies
109 Fairytale Lane
Surf City, NC 28445

**Miller
Technologies**

Pho: (910) 328-2829
Fax: (910) 328-5494
Email: info@millertech.com

www.millertech.com