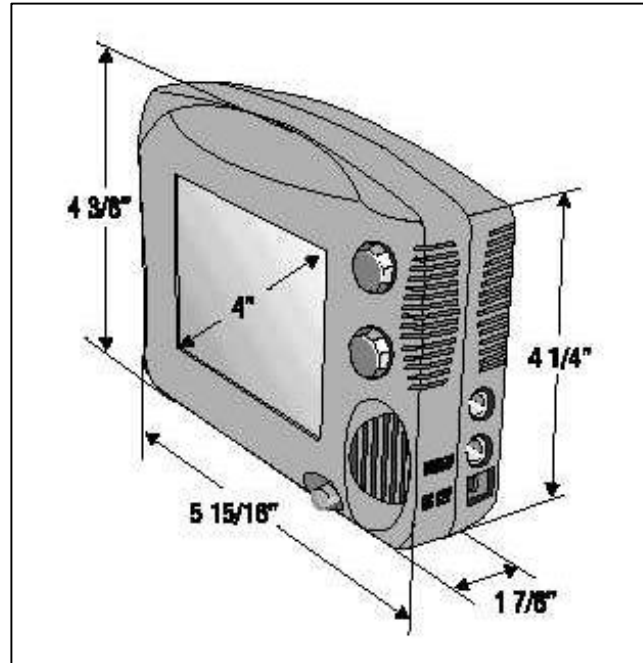


LCDP4

TECHNICAL SPECIFICATIONS

4" TFT LCD Video Monitor



FEATURES

- Small Enclosed Monitor with Audio
- Built in Table Stand or Base Mounting
- 3 Watt Mono Speaker

SPECIFICATIONS

DISPLAY:	4" Color TFT LCD
INPUT SIGNAL:	NTSC
DOT FORMAT:	480 x 234
BACK LIGHT:	CCFT
LAMP LIFE:	12,000 Hours
BRIGHTNESS RATING:	150 NIT
CONTRAST RATIO:	120:1
VIEWING ANGLE (L/R/T/B):	45°/45°/10°/30°
POWER REQUIREMENTS:	12VDC @ 350 mA
VIDEO INPUT LEVEL:	1.0V p-p (Positive) 75 Ohm
AUDIO INPUT LEVEL:	Low Level RCA, Mono 100mV Max
AUDIO OUTPUT LEVEL:	3 Watt Mono, 3.5mm Jack
DIMENSIONS (HxWxD):	4 3/8" x 5 15/16" x 1 7/8"
MOUNTING:	6mm Bottom Screw, Flip Out Stand
OPERATING TEMPERATURE:	0°-60°C
STORAGE TEMPERATURE:	-20°-80°C
WEIGHT:	14 oz.

* Specifications subject to change without notice.