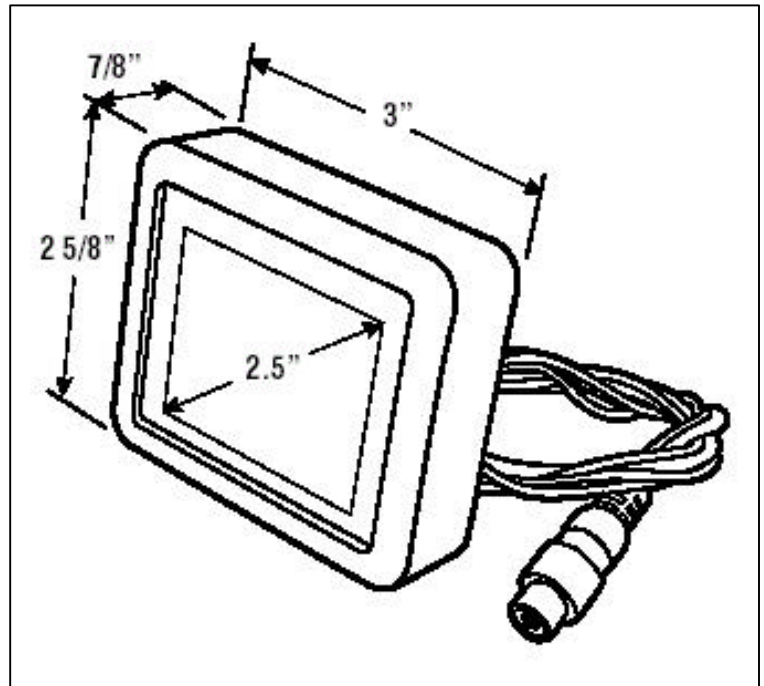


LCDP25LSMT

TECHNICAL SPECIFICATIONS

2.5" TFT LCD COLOR HOUSED MONITOR



SPECIFICATIONS

DISPLAY:	2.5" Color TFT LCD
INPUT SIGNAL:	NTSC/PAL Auto Switching
DOT FORMAT:	480 x 234
BACKLIGHT:	LED
BACKLIGHT LIFE:	10,000 Hrs.
BRIGHTNESS RATING:	200 NIT
CONTRAST RATIO:	150:1
VIEWING ANGLE (L/R/T/B):	45°/45°/10°/35°
POWER REQUIREMENTS:	12VDC @ 90 mA
DIMENSIONS (HxWxD):	2 5/8" x 3" x 7/8"
OPERATING TEMPERATURE:	0° - 60°C
STORAGE TEMPERATURE:	-25° - 80°C

FEATURES

- LED BACKLIGHT
- SURFACE or FLUSH MOUNT

*Specifications subject to change without notice.

Miller Technologies
109 Fairytale Lane
Surf City, NC 28445

Miller
Technologies

www.millertech.com

Pho: (910) 328-2829
Fax: (910) 328-5494
Email: info@millertech.com