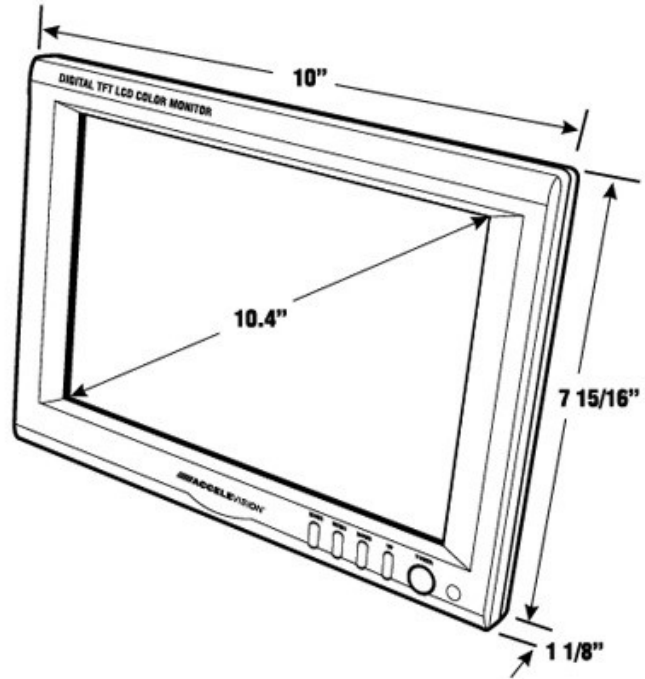


# LCDP104LX

## TECHNICAL SPECIFICATIONS

### 10.4" VIDEO/VGA INPUT LCD MONITOR

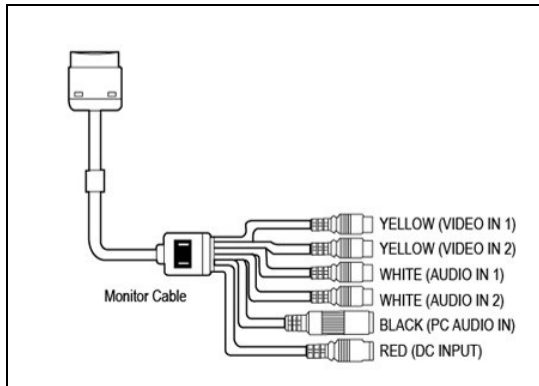


#### FEATURES

- 2 VIDEO INPUTS
- NTSC/PAL VIDEO
- VGA INPUT
- OSD (On Screen Display)
- 2 X 1/2W SPEAKERS

#### SPECIFICATIONS

<b>DISPLAY:</b>	10.4" Color TFT LCD
<b>INPUT SIGNAL:</b>	NTSC/PAL/VGA
<b>DOT FORMAT:</b>	1024 X 768
<b>BACK LIGHT:</b>	CCFL
<b>BRIGHTNESS RATING:</b>	350 NIT
<b>VIEWING ANGLE (L/R/T/B):</b>	55°/55°/40°/40°
<b>POWER REQUIREMENTS:</b>	12VDC @ 850 mA
<b>VIDEO INPUT LEVEL:</b>	1.0 V p-p (positive) 75 Ohm
<b>DIMENSIONS (WxHxD):</b>	10" X 7 15/16" X 1 1/8"
<b>OPERATING TEMPERATURE:</b>	-0°C ~ 60°C (32°F ~ 140°F)
<b>STORAGE TEMPERATURE:</b>	-20°C ~ 70°C (-4°F ~ 158°F)



\*Specifications subject to change without notice.

Miller Technologies  
109 Fairytale Lane  
Surf City, NC 28445

Miller  
Technologies

[www.millertech.com](http://www.millertech.com)

Pho: (910) 328-2829  
Fax: (910) 328-5494  
Email: [info@millertech.com](mailto:info@millertech.com)