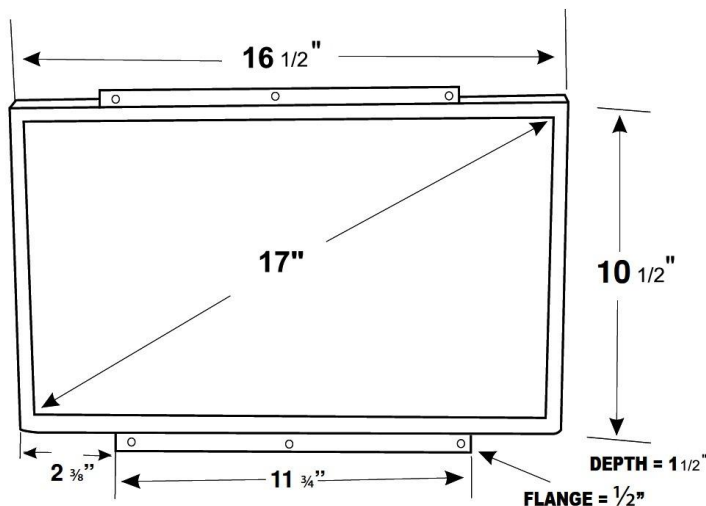


LCDM17WVGA (Black) LCDM17WVGAW (White)

TECHNICAL SPECIFICATIONS

17" Widescreen Video/VGA/HDMI
Input Flush & VESA Mount
Metal Housed LCD Monitor



FEATURES

- 16:9 WIDESCREEN
- OSD (On Screen Display)
- HDMI INPUT
- COMPUTER INPUT
- 2 VIDEO INPUTS
- REMOTE CONTROL
- "AUTO ON" WHEN VIDEO SIGNAL PRESENT
- REMOVABLE FLUSH MOUNTING FLANGES
- VESA MOUNTING (100mm x 100mm)
- AVAILABLE IN BLACK OR WHITE FRAME

SPECIFICATIONS

DISPLAY:	17" WIDESCREEN TFT LCD
INPUT SIGNAL:	NTSC/PAL/VGA/HDMI
RESOLUTION:	1280 x 768 (WXGA)
BACK LIGHT:	CCFL
BRIGHTNESS RATING:	450 NIT
VIEWING ANGLE (L/R/T/B):	85°/85°/85°/85°
POWER REQUIREMENTS:	12VDC @ 3.5 A
VIDEO INPUT LEVEL:	1.0 V p-p (positive) 75 Ohm
DIMENSIONS (HxWxD):	16.5" X 10.5" x 1.5" (11.5"H with Flanges)
MOUNTING:	Flange & VESA 100mm
OPERATING TEMPERATURE:	0° ~ 50°C (32° ~ 122°F)
STORAGE TEMPERATURE:	-30° ~ 60°C (-22° ~ 140°F)

*Specifications subject to change without notice.

Miller Technologies
109 Fairytale Lane
Surf City, NC 28445

Miller
Technologies

www.millertech.com

Pho: (910) 328-2829
Fax: (910) 328-5494
Email: info@millertech.com