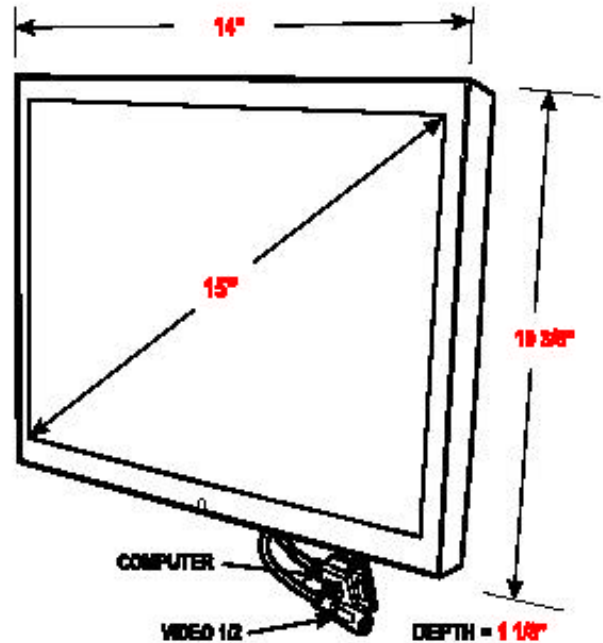


LCDM15HNBS

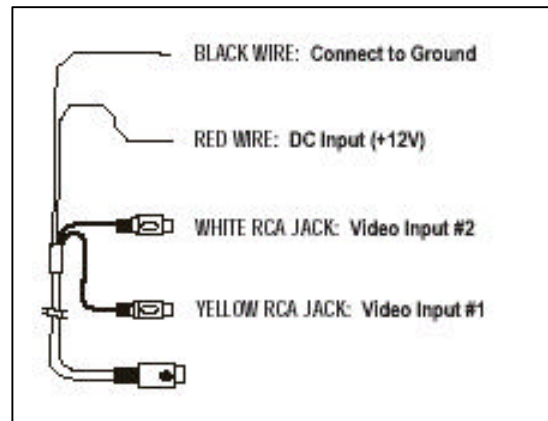
TECHNICAL SPECIFICATIONS

15" Metal Housed Color LCD Monitor



SPECIFICATIONS

DISPLAY:	15" Color TFT LCD
ACTIVE SCREEN AREA:	11.97" x 8.98"
INPUT SIGNAL:	NTSC/PAL/Computer
RESOLUTION:	1024 x 768
BACK LIGHT:	20,000 Hrs.
BRIGHTNESS RATING:	300 NIT
CONTRAST RATIO:	200:1
VIEWING ANGLE (L/R/T/B):	65°/65°/40°/40°
POWER REQUIREMENTS:	12VDC @ 2.5 Amp
VIDEO INPUT LEVEL:	Composite 1V p-p (75 Ohms)
DIMENSIONS (HxWxD):	10 3/8" x 14" x 1 1/8"
MONITOR MOUNTING:	Flange
OPERATING TEMPERATURE:	0° ~ 60°C (32° ~ 140°F)
STORAGE TEMPERATURE:	-20° ~ +80°C (-4° ~ +176°F)



FEATURES

- IR REMOTE
- 2 VIDEO INPUTS
- COMPUTER INPUT

Miller Technologies
109 Fairytale Lane
Surf City, NC 28445

Miller
Technologies

www.millertech.com

Pho: (910) 328-2829
Fax: (910) 328-5494
Email: info@millertech.com