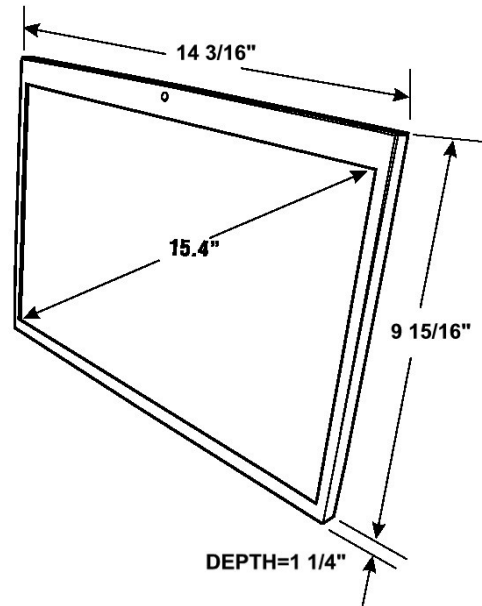


# LCDM154VGAH

## TECHNICAL SPECIFICATIONS

### 15.4" Widescreen Video/VGA/HDMI Input Metal Framed LCD Monitor

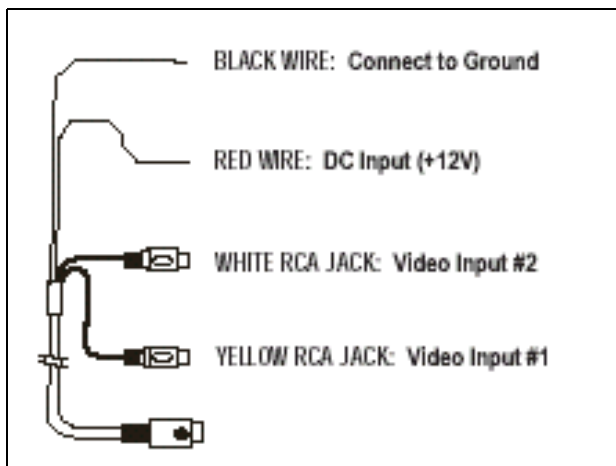


## FEATURES

- IR REMOTE
- 2 VIDEO INPUTS
- COMPUTER INPUT
- HDMI INPUT
- OSD
- WIDESCREEN

## SPECIFICATIONS

- DISPLAY: 15.4" Color TFT LCD
- INPUT SIGNAL: NTSC/PAL/Computer/HDMI
- RESOLUTION: 1280 x 768
- BACK LIGHT: CCFL
- LAMP LIFE: 25,000 Hrs.
- BRIGHTNESS RATING: 350 NIT
- CONTRAST RATIO: 500:1
- VIEWING ANGLE (L/R/T/B): 60°/60°/55°/45°
- POWER REQUIREMENTS: 12VDC @ 2.1 Amp
- VIDEO INPUT LEVEL: Composite 1V p-p (75 Ohms)
- DIMENSIONS (WxHxD): 14 3/16" x 9 15/16" x 1 1/4"
- MONITOR MOUNTING: VESA
- OPERATING TEMPERATURE: 0° ~ 60°C (32° ~ 140°F)
- STORAGE TEMPERATURE: -20° ~ +80°C (-4° ~ +176°F)



Miller Technologies  
109 Fairytale Lane  
Surf City, NC 28445

**Miller  
Technologies**

[www.millertech.com](http://www.millertech.com)

Pho: (910) 328-2829  
Fax: (910) 328-5494  
Email: [info@millertech.com](mailto:info@millertech.com)