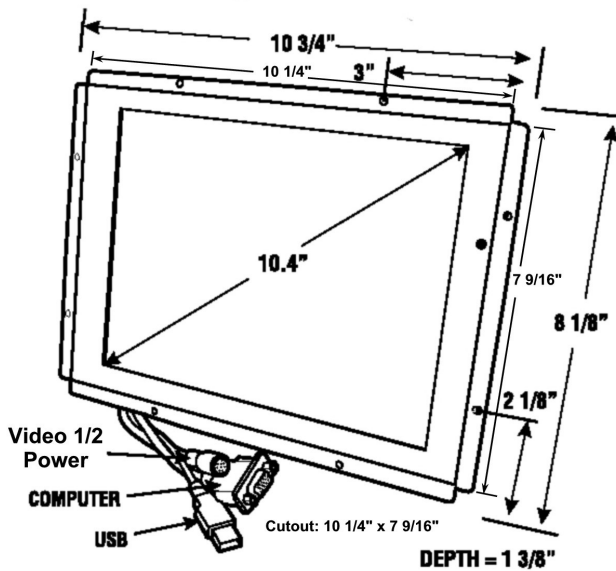


LCDM104SVGA

TECHNICAL SPECIFICATIONS

10.4" Video/VGA Input Metal Framed Monitor with Removable Surface/Flush Mount Flanges, VESA Mounting, and Optional USB Touch Screen

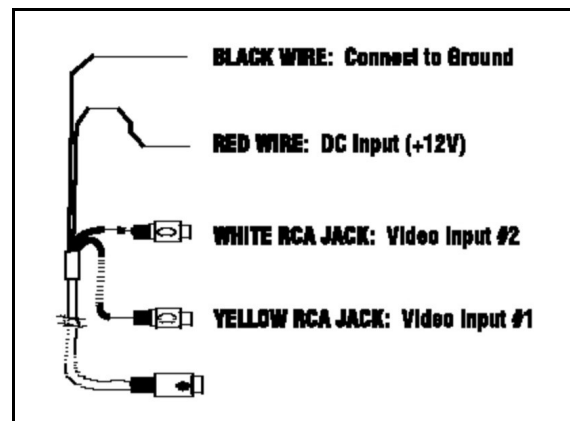


SPECIFICATIONS*

DISPLAY:	10.4" Color TFT LCD
INPUT SIGNAL:	NTSC/PAL/VGA
RESOLUTION:	800 x 600
BACK LIGHT:	CCFL
BACKLIGHT LIFE:	20,000 Hrs.
BRIGHTNESS RATING:	450 NIT TYP.
VIEWING ANGLE (L/R/T/B):	65°/65°/40°/40°
POWER REQUIREMENTS:	12VDC @ 1.25A
VIDEO INPUT LEVEL:	1.0 V p-p (positive) 75 Ohm
DIMENSIONS (WxHxD):	10 3/4" X 8 1/8" X 1 3/8"
WITHOUT FLANGES:	10 1/4" X 7 9/16" X 1 3/8"
MOUNTING:	Removable Flange/VESA 75mm
OPERATING TEMPERATURE:	0° ~ 60°C (32° ~ 140°F)
STORAGE TEMPERATURE:	-20° ~ 80°C (-4° ~ 176°F)

FEATURES

- IR Remote (OSD)
- 2 Video Inputs
- VESA 75mm Mounting
- VGA Computer Input
- Optional Touch Screen
- Removable Surface/Flush Mount Flanges



*Specifications subject to change without notice.

Miller Technologies
109 Fairytale Lane
Surf City, NC 28445

Miller
Technologies

www.millertech.com

Pho: (910) 328-2829
Fax: (910) 328-5494
Email: info@millertech.com