

LCDM102W & LCDM102WVGA

**10.2" WIDESCREEN
SURFACE/FLUSH/PANEL/VESA
MOUNT METAL HOUSED
MONITOR**



TECHNICAL SPECIFICATION

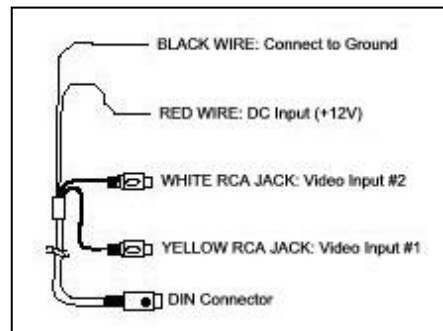
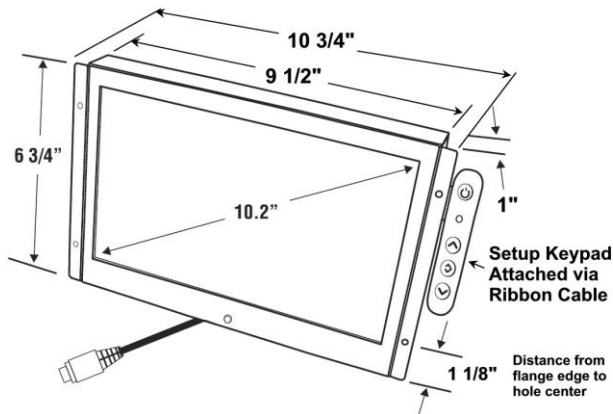
LCDM102W – NTSC/PAL Video Input Only
LCDM102WVGA – NTSC/PAL/VGA/HDMI Inputs
LCDM102WVGATS – LCDM102WVGA w/ Touch Screen

SPECIFICATIONS

DISPLAY:	10.2" Widescreen TFT LCD
INPUT SIGNAL:	NTSC/PAL/VGA/HDMI
RESOLUTION:	800 x 480
BACKLIGHT:	20,000 Hrs.
BRIGHTNESS:	300 nits
CONTRAST:	200:1
VIEWING ANGLE (L/R/T/B):	65°/65°/40°/40°
POWER REQUIREMENTS:	12VDC @ 1.25A
VIDEO INPUT LEVEL:	Composite 1V p-p (75 Ohm)
DIMENSIONS (HxWxD):	6 3/4" x 10 3/4" x 1" (9.5"W w/o flanges)
MONITOR MOUNTING:	Flange & VESA 75mm x 75mm
OPERATING TEMPERATURE:	0°C ~ +60°C (+32°F ~ +140°F)
STORAGE TEMPERATURE:	-20°C ~ +80°C (-4°F ~ +176°F)

FEATURES

- 2 VIDEO INPUTS
- REMOVABLE SURFACE/FLUSH MOUNTING FLANGES
- 16:9 WIDESCREEN
- VGA INPUT (VGA Version)
- HDMI INPUT (VGA Version)
- IR REMOTE



Miller Technologies
109 Fairytale Lane
Surf City, NC 28445

**Miller
Technologies**

www.millertech.com

Pho: (910) 328-2829
Fax: (910) 328-5494
Email: info@millertech.com