

LCD8WVGATS

TECHNICAL SPECIFICATIONS

8" Widescreen Color TFT LCD Open Frame Touch Screen Module

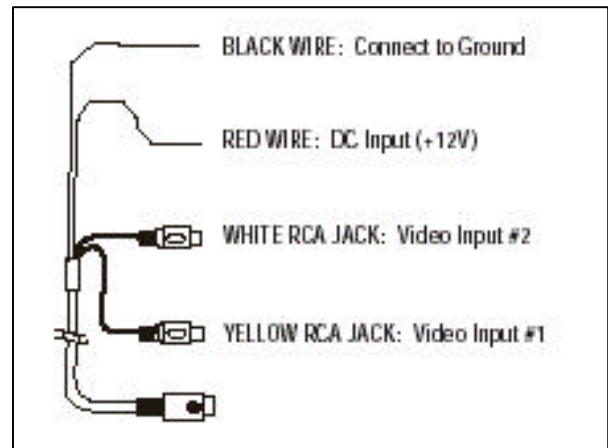
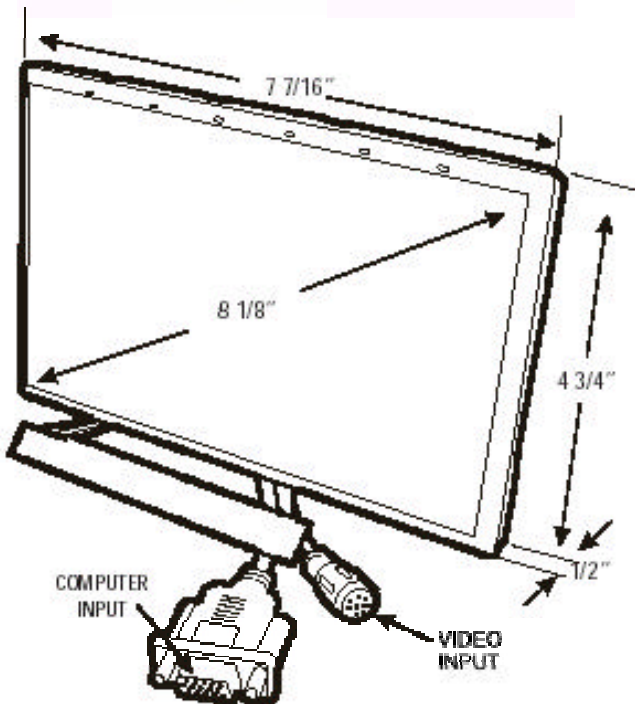


SPECIFICATIONS

DISPLAY:	8" Color TFT LCD Widescreen Module
ASPECT RATIO:	16:9
BACK LIGHT:	CCFL
RESOLUTION:	800 x 480
DOT PITCH:	0.107(H) x 0.372(V)
VIEWING ANGLE (L/R/T/B):	55°/55°/15°/35°
BRIGHTNESS RATING:	250 NIT
NUMBER OF PIXELS:	480,000
VIDEO INPUT LEVEL:	Composite 1V p-p (75 Ohms)
INPUT SIGNAL:	NTSC, PAL, Computer
POWER SOURCE:	12VDC +/- 15% @ 950 mA
OPERATING TEMPERATURE:	0° ~ 50°C (+32° ~ +122°F)
STORAGE TEMPERATURE:	-20° ~ 80°C (-22° ~ +140°F)
DIMENSIONS (HxWxD):	4 3/4" x 7 7/16" x 1"

FEATURES

- 8" WIDESCREEN LCD PANEL
- USB TOUCH SCREEN
- ON SCREEN DISPLAY (OSD)
- 2 VIDEO INPUTS
- WVGA INPUT
- REMOTE CONTROL



NOTE: Specifications subject to change without notice.

Miller Technologies
109 Fairytale Lane
Surf City, NC 28445

Miller
Technologies

www.millertech.com

Tel: (910) 328-2829
Fax: (910) 328-5494
Email: info@millertech.com