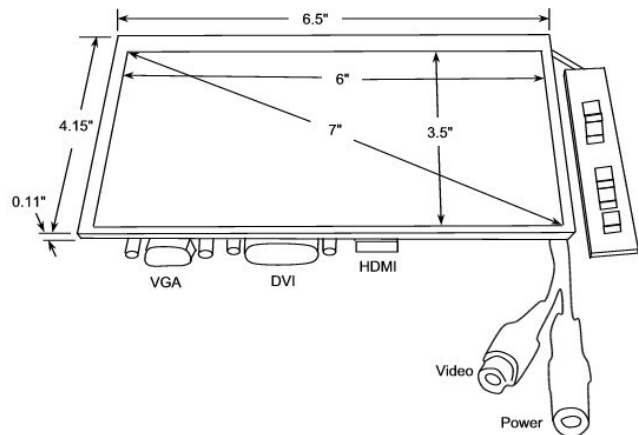


# LCD7WHDMI

## TECHNICAL SPECIFICATIONS

7" WIDESCREEN VIDEO/VGA/DVI/HDMI INPUT  
HIGH RESOLUTION OPEN FRAME LCD MODULE



### FEATURES

- HIGH RESOLUTION
- "SLIM" DESIGN
- NTSC/PAL VIDEO
- HDMI INPUT
- VGA INPUT
- DVI INPUT

### SPECIFICATIONS

<b>DISPLAY:</b>	7" Widescreen Color TFT LCD
<b>INPUT SIGNAL:</b>	NTSC/PAL/VGA/DVI/HDMI
<b>DOT FORMAT:</b>	1024 x 600
<b>BACK LIGHT:</b>	LED
<b>BRIGHTNESS RATING:</b>	230 NIT
<b>VIEWING ANGLE (L/R/T/B):</b>	65°/65°/60°/65°
<b>POWER REQUIREMENTS:</b>	12VDC @ 450 mA
<b>VIDEO INPUT LEVEL:</b>	1.0 V p-p (positive) 75 Ohm
<b>DIMENSIONS (WxHxD):</b>	165.75 x 105.39 x 2.7mm (6.5" x 4.25" x 0.11")
<b>ACTIVE AREA:</b>	153.6 X 90MM (6" X 3.5")
<b>OPERATING TEMPERATURE:</b>	-10°C ~ 60°C (+14°F ~ +140°F)

\*Specifications subject to change without notice.

Miller Technologies  
109 Fairytale Lane  
Surf City, NC 28445

Miller  
Technologies

Pho: (910) 328-2829  
Fax: (910) 328-5494  
Email: [info@millertech.com](mailto:info@millertech.com)

[www.millertech.com](http://www.millertech.com)