



15" LCD Metal Framed Monitor

March

2010

Low Current Draw 15" LCD TFT monitor with LED Backlight in Metal housing, VGA and Video inputs, Remote mountable Membrane switch , IR remote control, OSD Display, 12vdc @700 ma, XGA resolution 1024x768, Long Life 50,000 Hours.
(metal mounting tabs are height adjustable or removable)

LCDM15LED

Miller Technologies
109 Fairytale Lane
Surf City, NC 28445

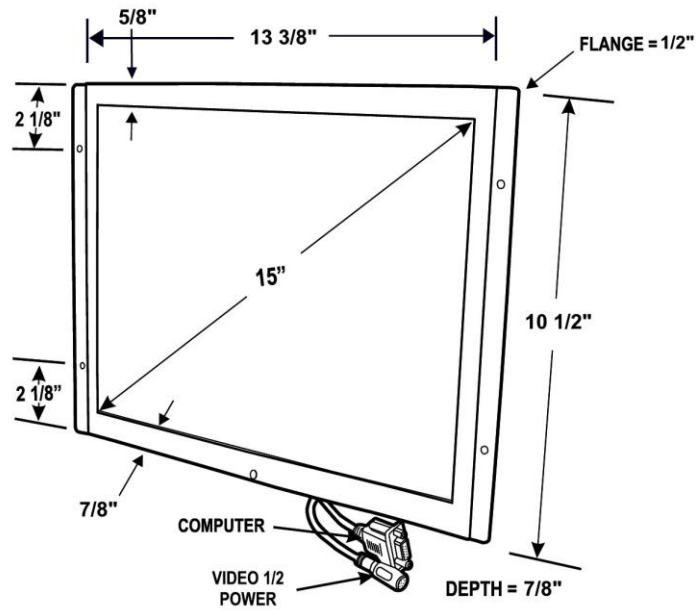
**Miller
Technologies**

Pho: (910) 328-2829
Fax: (910) 328-5494
Email: info@millertech.com

Items	Unit	Specifications
Screen Diagonal	[inch]	15
Active Area	[mm]	304.128(H) x 228.096(V)
Pixels H x V		1024x3(RGB) x 768
Pixel Pitch	[mm]	0.297 x 0.297
Pixel Arrangement		R.G.B. Vertical Stripe
Display Mode		TN, Normally White
Nominal Input Voltage VDD	[Volt]	3.3 typ.
Typical Power Consumption	[Watt]	(8.8) (64 Gray Bar Pattern , exclude inverter)
Weight	[Grams]	1100g (max.)
Physical Size	[mm]	326.5(H)x 253.5(V) x 12.0(D) (max.)
Electrical Interface		1 channel LVDS
Surface Treatment		Anti-glare, Hardness 3H
Support Color		16.2M / 262K colors
Temperature Range Operating	[°C]	0 to +65 (+65°C as panel surface temperature)
Storage (Non-Operating)	[°C]	-20 to +65
RoHS Compliance		RoHS Compliance

Item	Unit	Conditions	Min.	Typ.	Max.	Note
White Luminance	[cd/m ²]	IRCFL= 5.5mA (center point)	300	350	-	1
Uniformity	%	9 Points	75	80	-	1, 2, 3
Contrast Ratio			400	700	-	4
Cross talk	%		-	1.2	1.5	5
Response Time	[msec]	Rising	-	5.7		6
	[msec]	Falling	-	2.3		
	[msec]	Raising + Falling	-	8		
Viewing Angle	[degree]	Horizontal (Right) CR = 10 (Left)	70	80	-	7
	[degree]		70	80	-	
	[degree]	Vertical (Upper) CR = 10 (Lower)	70	80	-	
	[degree]		50	60	-	

Items	Required Condition	Note
Temperature Humidity Bias	50°C/80%,300 hours	
High Temperature Operation	60°C ,300 hours	
Low Temperature Operation	0°C ,300 hours	
Hot Storage	65°C ,300 hours	
Cold Storage	-20°C ,300 hours	
Thermal Shock Test	-20°C/30 min ,60°C/30 min ,100cycles	
Shock Test (Non-Operating)	50G,20ms,Half-sine wave,(±X, ±Y, ±Z)	
Vibration Test (Non-Operating)	1.5G, (10~200Hz, P-P) 30 mins/axis (X, Y, Z)	
On/off test	On/10 sec, Off/10 sec, 30,000 cycles	
ESD	Contact Discharge: ± 8KV, 150pF(330Ω) 1sec, 8 points, 25 times/ point Air Discharge: ± 15KV, 150pF(330Ω) 1sec, 8 points, 25 times/ point	Note 1



Miller Technologies
109 Fairytale Lane
Surf City, NC 28445



Pho: (910) 328-2829
Fax: (910) 328-5494
Email: info@millertech.com