

# LCDM12WVGA

## TECHNICAL SPECIFICATION



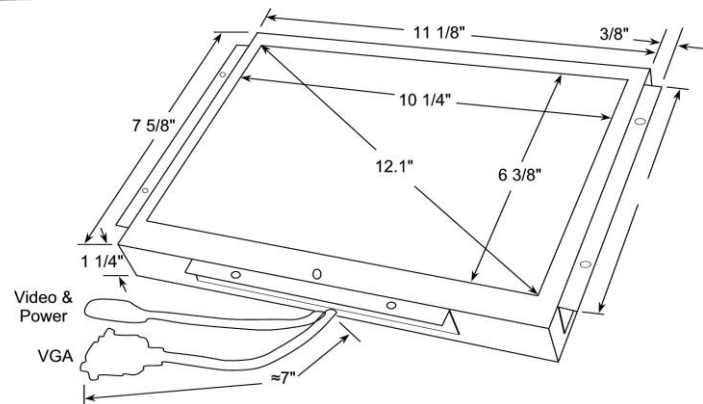
**12.1" Video/VGA/HDMI Input  
Metal Framed LCD Monitor  
with Removable  
Surface/Flush Mounting  
Flanges and VESA Mounting**



Rear with VESA Mounting Holes



Connections



### SPECIFICATIONS

<b>DISPLAY:</b>	12.1" Color TFT LCD
<b>INPUT SIGNAL:</b>	NTSC/PAL/Computer/HDMI
<b>RESOLUTION</b>	1280 x 800
<b>BACKLIGHT:</b>	LED
<b>BACKLIGHT MTBF:</b>	50,000 Hrs
<b>BRIGHTNESS:</b>	500 nit
<b>CONTRAST RATIO:</b>	350:1
<b>VIEWING ANGLE (L/R/T/B):</b>	85°/85°/65°/65°
<b>POWER REQUIREMENTS:</b>	12VDC @ 1.5A
<b>VIDEO INPUT LEVEL:</b>	1.0V p-p (positive) 75 Ohm
<b>DIMENSIONS:</b>	11 1/8" x 7 5/8" x 1 1/4"
<b>OPERATING TEMPERATURE:</b>	0° ~ 70°C
<b>MOUNTING:</b>	VESA 75mm, Surface/Flush Mount Flanges

### FEATURES

- Remote Control
- 2 Video Inputs
- Computer Input
- HDMI Input
- Power On when Signal Present

Miller Technologies  
109 Fairytale Lane  
Surf City, NC 28445

**Miller  
Technologies**

[www.millertech.com](http://www.millertech.com)

Pho: (910) 328-2829  
Fax: (910) 328-5494  
Email: [info@millertech.com](mailto:info@millertech.com)