

LCD4LH

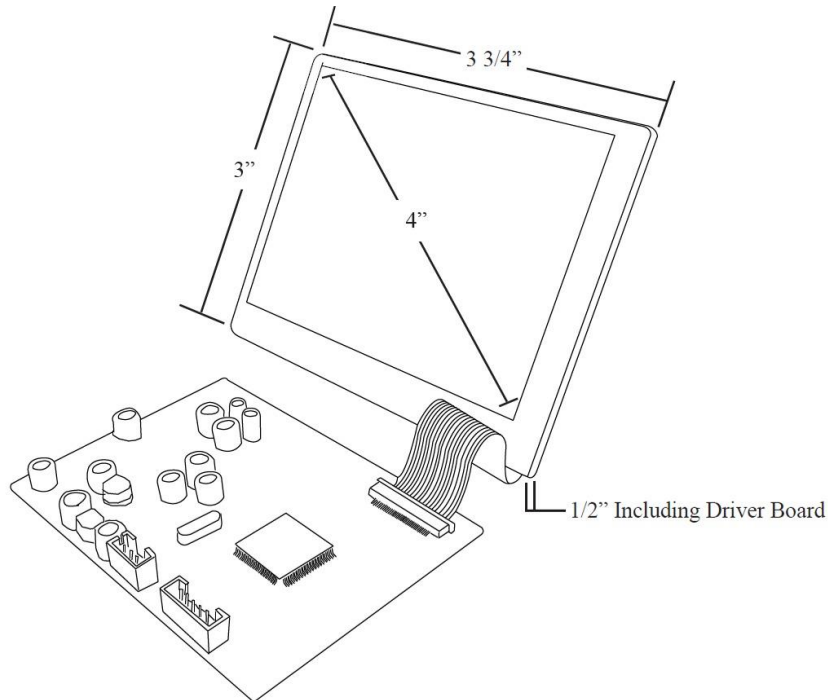
TECHNICAL SPECIFICATIONS

15" OPEN FRAME LCD MONITOR MODULE



SPECIFICATIONS

DISPLAY:	4.0" Color TFT LCD
INPUT SIGNAL:	NTSC/PAL Composite Video
RESOLUTION	480 x 234
BACKLIGHT:	LED, 30,000 Hrs.
BRIGHTNESS:	250 NIT
CONTRAST RATIO:	350:1
VIEWING ASNGLE:	90°(H) /40°(V)
POWER REQUIREMENTS:	12VDC @ 130mA
VIDEO INPUT LEVEL:	1.0V p-p (positive) 75 Ohm
DIMENSIONS:	3"(H) x 3.75"(W) x 0.5"(D)
OPERATING TEMPERATURE:	0° ~ +60°C
STORAGE TEMPERATURE:	-25° ~ +80° C



**Specifications subject to change without notice.*

Miller Technologies
109 Fairytale Lane
Surf City, NC 28445

**Miller
Technologies**

www.millertech.com

Pho: (910) 328-2829
Fax: (910) 328-5494
Email: info@millertech.com